

LED Studio Light sales kit

HERFGY

A decorative graphic at the bottom of the page features a stylized 'HERFGY' logo in orange and grey, positioned at the start of a series of perspective lines that recede into the distance. The lines are composed of multiple parallel grey and white bands, creating a sense of depth and movement. The background is a light grey gradient.

Product Management Dept.

2012.11.27

Agenda

- Introduction
- Feature
- Specification
- Dimension
- Optic data
- Combination
- Application



Introduction



Hergy studio light is the luminaire to utilize LEDs properly to effectively capitalize on the efficiency, life span, and brightness.

With excellent optic, thermal, EE and mechanism design, Hergy studio light can provide multiple application and high quality product.

Hergy studio light use modularized concept to achieve customer's need. You can select the combination for your own application(studio, stadium,...etc.), including the optic, LEDs, mechanism and stylish parts.

Feature

Feature	Advantage
Modularized design	Easy maintenance Multiple combination
TYPE V Square Beam angle 23° & 50°	Multi-application Wall wash, pedestrian areas, site perimeter...etc.
TOP brand LED (CREE, Lumileds)	Best reliability No patent issues
High efficiency	Power consumption saving Money saving CO ₂ reduction
Excellent thermal design	Ensure LED life span

Feature

Feature

Advantage

IP67 design

Waterproof ready
including connector

Module meet CE/ UL requirement

Easy certification for luminaires

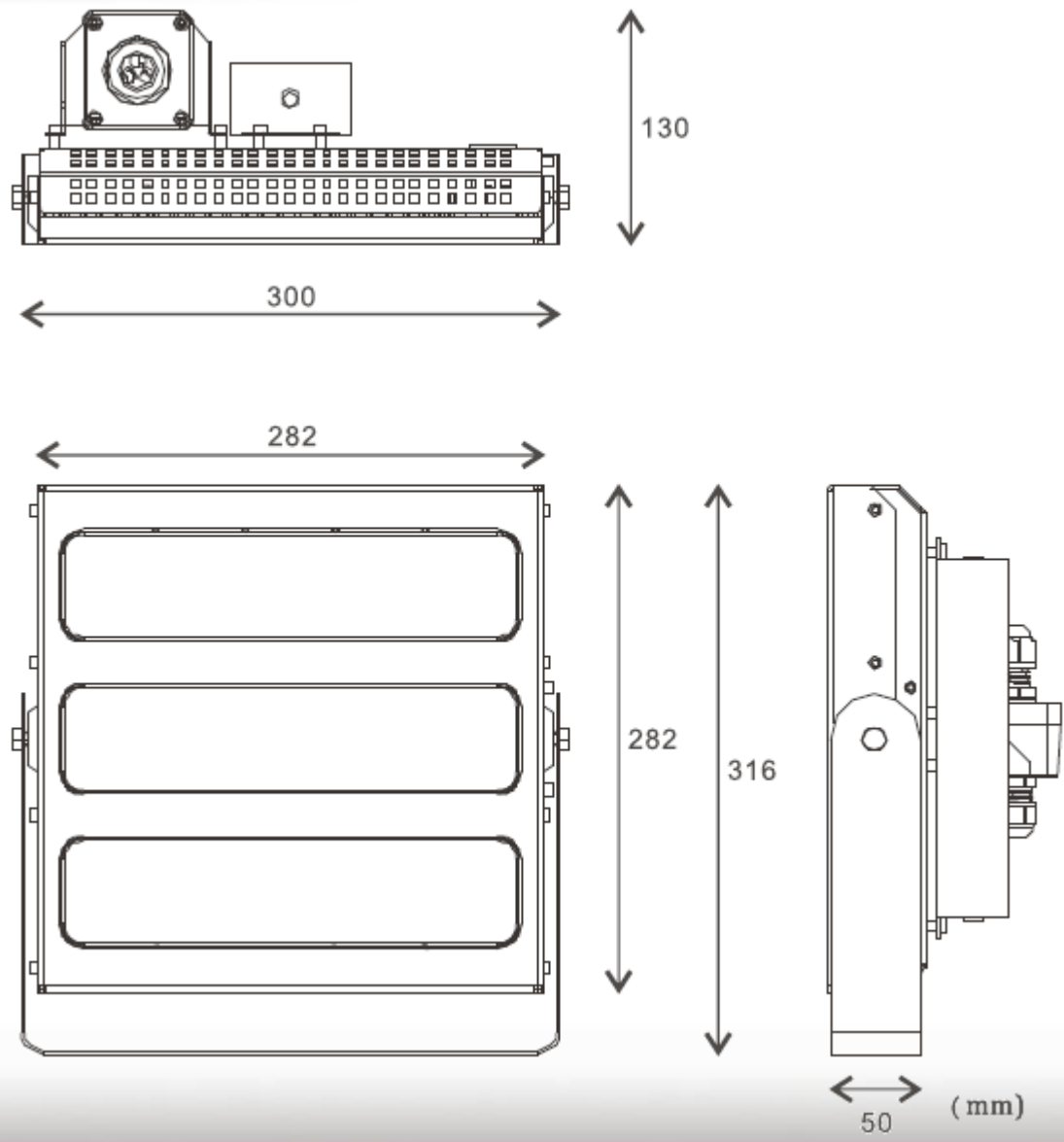
24Vdc input voltage

Easy select power supply unit
Easy support dimming function (0-10V)

Specification

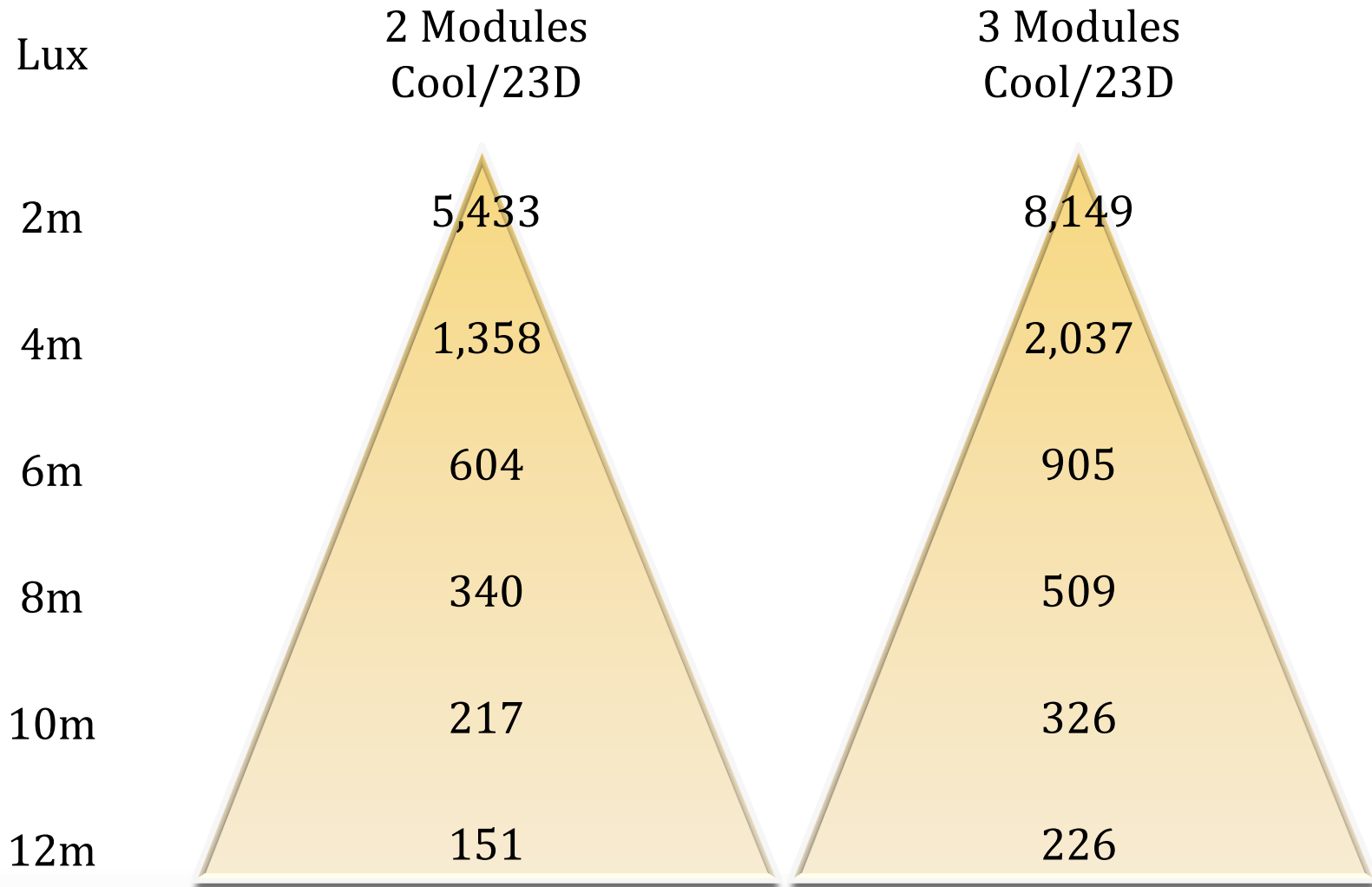
Model name	PL2		PL3	
Input voltage	90~305 Vac			
Power factor	> 0.9			
LED brand	Lumileds Rebel ES		CREE XPG	
Color temperature	Neutral (3800~4100K)	Cool (5000~5650K)	Neutral (4000~4500K)	Cool (4745~5310K)
CRI	70	70	75	70
Luminous output (initial)	5,380	5,380	5,520	5,890
Power consumption	62	62	62	62
Luminaires efficacy (initial)	86.8	86.8	89	95
Light distribution	23° / 50° / Type V Square			
Dimension	316 x 300 x 130 mm			
Weight	4.8 kg	6.0 kg	4.8 kg	6.0 kg
Operating temperature	-40 ~ +50°C			
Support dimming	Optional (1-10V)			
IP protection	IP67			

Dimension



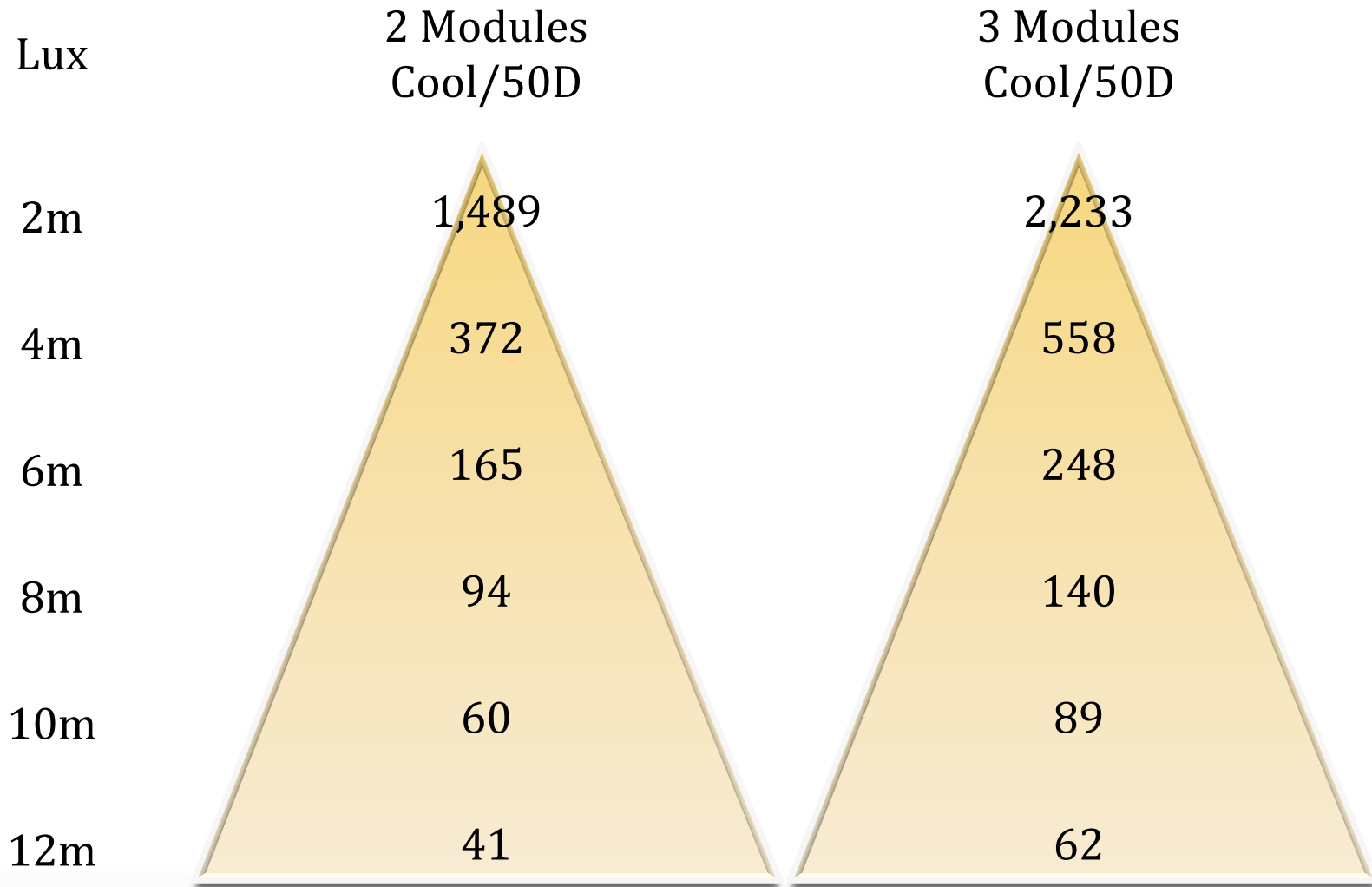
Optical data

Beam angle 23D/ Lumileds



Optical data

Beam angle 50D/ Lumileds



Applications

Studio



Stadium



Contact us

Jay Fu

Jay_fu@hergy.com.tw

9F-1., No.13, Sec.2, Beitou Rd., Beitou District,
Taipei 112, Taiwan

TEL: +886-2-28911667 ext 661

FAX: +886-2-28910367